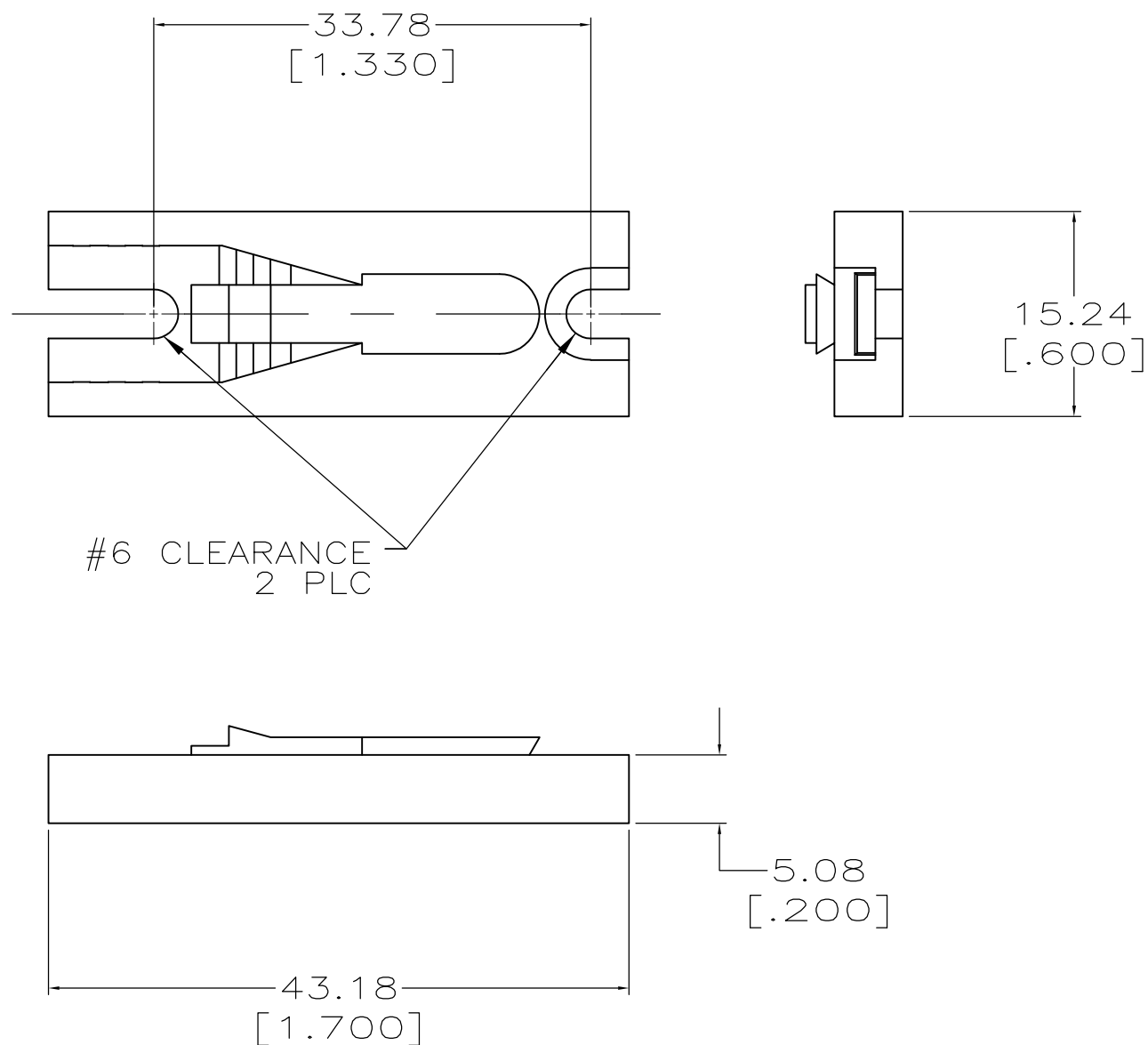


THIS DRAWING IS UNPUBLISHED. RELEASED FOR PUBLICATION
 © COPYRIGHT - BY TYCO ELECTRONICS CORPORATION. ALL RIGHTS RESERVED.

LOC	DIST	REVISIONS					
FT	0	P	LTR	DESCRIPTION	DATE	DWN	APVD
			E	REVISED PER ECO-07-012903	6/4/07	SS	FD

1. SURFACE MOUNTING ADAPTER TO BE USED WITH CONNECTOR 53884.



53885-1
PART NUMBER

THIS DRAWING IS A CONTROLLED DOCUMENT.		DWN	M.BINNER	07 APR 97	Tyco Electronics Corporation Harrisburg, PA 17105-3608		
DIMENSIONS: mm [INCHES]		CHK	R.STONE	24 APR 97	NAME		
TOLERANCES UNLESS OTHERWISE SPECIFIED:		APVD	M.MCALONIS	22 MAY 97	MOUNTING ADAPTER, SURFACE, SERIES 2, POWER LOCK		
0 PLC ± -		PRODUCT SPEC	108-11043		SIZE	CAGE CODE	DRAWING NO
1 PLC ± -		APPLICATION SPEC	114-6032		A3	00779	C-53885
2 PLC ± 0.25 [.010]		WEIGHT	-		RESTRICTED TO		
3 PLC ± -		CUSTOMER DRAWING		SCALE	4:1	SHEET	1 OF 1
4 PLC ± -						REV	E
ANGLES ± -							
FINISH							
MATERIAL		POLYCARBONATE,					